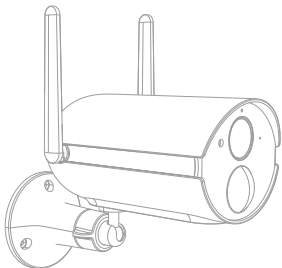


# OUTDOOR-IP2

OUTDOOR CAM-PIR

---

## QUICK GUIDE



# What's in the box

Please consult this checklist for all parts.



OUTDOOR-IP2



Bracket



Screws

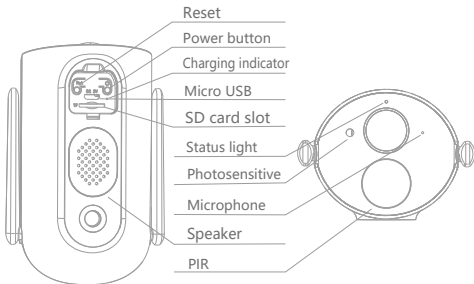


Power adapter



USB cable

# Product Overview



Power port DC 5V±10%

Power on/off Press power button for 3 seconds to turn on/off the camera

Status light

- Solid red light on: the camera is turning on or malfunctional
- Blinking red light: awaiting WiFi connection (slowly blinking)  
connecting the WiFi (quickly blinking)
- Blinking blue light: currently connecting
- Solid blue light on: the camera runs correctly

SD card slot Support local SD card storage (Max.128GB)

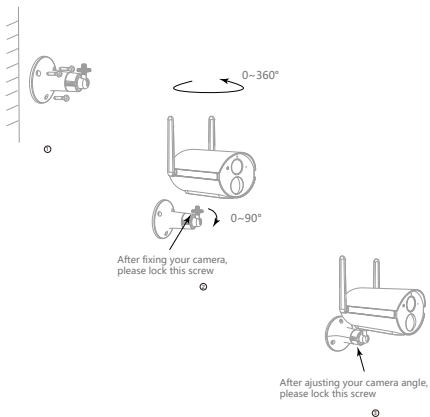
Reset Press and hold on for 5 seconds to reset the camera

Charging indicator

- Solid red indicator on: battery is charging
- Solid blue indicator on: charging completed

Battery capacity 14400mAh (three 21700 lithium-ion batteries)

## Mode Bracket Installation



1. Fix the bracket on the wall
2. Install the camera in the bracket and lock it with the screw

## Download

CrowPro Alarm is available for both iOS and Android OS. Search the name 'CrowPro Alarm'in App Store or Google Play.

## Support



## Add device

Log in the CrowPro Alarm, select "IP Cameras", select "Add Device", and add the smart camera to the App according to the screen tips( Make the smart camera close to the router when configuring).



**NOTE:** If you need to re-select the WiFi network, please press and hold the "RESET" button for 5 seconds, the device will restart, and the indicator will be flashing red.

# Functions

## Remote wake-up

The camera will be in a sleep mode to save power; you can have a preview in App.

## Full-duplex audio

You can see and hear the visitor in your App from the camera.

## PIR

When the camera detects someone stopping by, it sends an alarm message to your cell phone.

## Low battery alarm

When the battery power is lower than your set, the App will send a notification to your mobile phone.

## Record

Using SD card or opening the Cloud-Storage Service, to keep recording for every moment.

## Day & Night

Powerful night vision means no interruptions, even in complete darkness.



Daytime



Night



support@crow.co.il

www.thecrowgroup.com