



**SH-DB-W-DECT**  
AUDIO SECURITY BURGLAR PREVENTING DEVICE



INSTRUCTION MANUAL  
P/N 7101702\_A

**PRODUCT FEATURES**

The Crow's SH-DB is a smart fully wireless doorbell burglar preventing device with two-way audio DECT.  
Audio is routed over cellular from the device to the smartphone for audio verification.  
So user can answer to person on the door when he is away from home.  
When used with Crow's IP camera, day and night high definition images will be sent for video verification.  
SH-DB is designed to watch your doorstep anytime while keeping snapshot history.

- It operates outdoors without Wi-Fi or electricity with a 24-hour battery backup.
- DECT Universal Standards
  - Push-Button for speed dial
  - 8-36 VDC or 12-24V AC supply from wall mount adaptor
  - Built-in rechargeable 3.7V battery for 24h backup
  - Can use as an intercom system together with the SH-AVM while the system is in Disarm mode.
  - In ARM mode, pressing the DB button will direct a call to the user's mobile.

**PRODUCT OVERVIEW**

Front View:



Figure 1

Rear View:

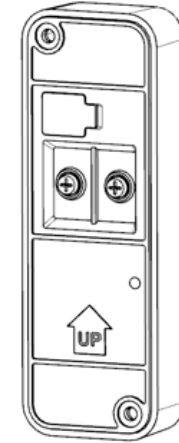


Figure 2

**WALL MOUNTING**

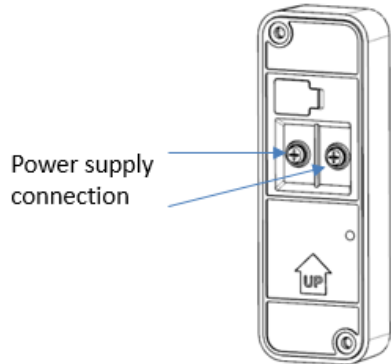


Figure 3

Connect power supply 8-36v DC/ 24V AC

**WALL MOUNTING**

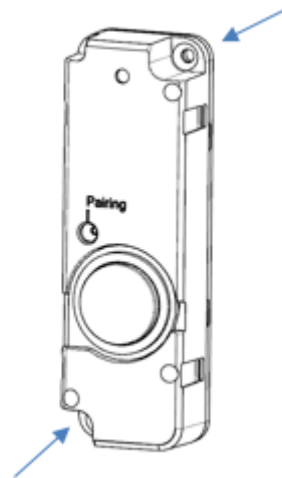


Figure 4

Remove the top cover  
Use supplied screw to mount the bracket on the wall

Check that the base is flat against the wall to facilitate the unit device insertion into the wall bracket.

**DEVICE INSTALLATION**

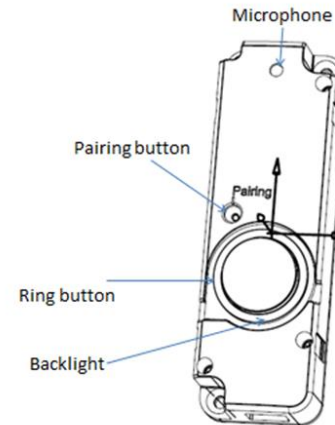


Figure 5

Pairing button and Microphone hole locations

**PAIRING PROCESS**

For pairing process, please refer to your control panel instructions.

To pair your SH-DB, please proceed as follows:

1. Install the module as indicated on figure 1, 2 and 3.
2. Connect the power supply
3. Log into web installer interface and go to "Communication > DECT Learning"
4. Verify DECT is enable state
5. Press and hold the Pairing button on the front side of the device (figure 5).
6. When the Green LED starts blinking release the pairing button.
7. While DB Green LED button is flashing on, Press the button "Learn DECT Device" in communication page.
8. Wait until Pairing Stage 1 & 2 process is starting and ends with successfully learned message.
9. The device should register to the Control Panel.

**Doorbell Assignment**

10. Go to Voice Devices level and select the desired voice device # 1 to 20, click on Add Voice device button, select from the white list paired devices (red color are already assigned) and save configuration.
11. DB ready for use
12. Use Shepherd installation manual

## Dimensions (mm)

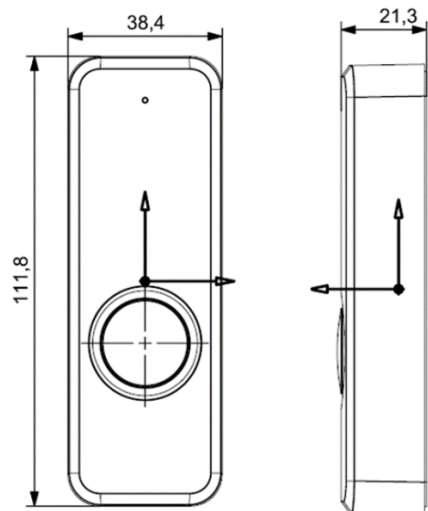


Figure 6

## OUTGOING CALLS

The Shepherd™ panel gives you the possibility to contact your permises and initiate full duplex calls to/from the SH-AVM devices or from SH-DB device.

SH-DB capable to generate a call in 2 options:

1. **System is in DISARM mode**- pressing the Ring button of the door bell creates intercom call with all paired and assinged Voice Box.
2. **System in ARM mode**- pressing the Ring button of the door bell creates outgoing call to the telephone number programmed in Users level.

### LEDs indication

Status	Green LED	Red LED
Initialization	OFF	Blinking
Registration processes	ON	Blinking
Trouble	OFF	Blinking
DECT registration in processe	Blinking	OFF
Registration succed	Constant ON for 3 seconds	OFF
DECT unregister	OFF	BLINKING
Battery cut off	OFF	10 sec; ON
Deactivation	10 sec; ON	OFF

## SPECIFICATION

Modulation Type	DECT Universal Standards
Event Transmission	Emergency Voice Call Low Bat Keep Alive (every 7 minutes – configurable) Push-Button for speed dial emergency call
Activation Method	
Range	500m open space
Operating voltage	8-36v DC/ 24V AC supplied from wall mount adaptor
Battery	Rechargeable Polymer 3.7V 250mAh Talk Mode: 300mA Up to 3 hours talk time in battery mode
Current Consumption	Standby: 5mA
LED Indicators	Yellow: Hang Up Green: Pair Status OK Speed dial Red: Pairing/HW problem
Operating Temperature	0°C – +50°C
Dimensions	104mm x 104mm x 29mm
Weight (incl. battery)	150 gr

## STANDARDS APPROVALS

The SH-AVM conforms to the essential requirements set out by:

- RED directive:2014/53/EU
- EMC directive: 2014/30/EU
- Low Voltage directive: 2014/35/EU

Harmonized Standards applicable to this products are:

- EN301489-3
- EN301489-1
- EN301489-6
- EN50130-4
- EN61000-6-3
- EN62368-1
- EN304406

Additional Standards and Directives applicable to this product are:

- RoHS directive: 2011/65/EC



sales@crow.co.il  
support@crow.co.il

[www.thecrowgroup.com](http://www.thecrowgroup.com)



## REGULAR CALL SET UP

The SH-DB can make regular phone call to 1 phone number only.

Make sure that the Shepherd™ is equipped with SIM card and the GSM option is activated.

- Log into web installer page
- Go to "USER" and select the user who will receive the call
- Fill phone number and Submit the configuration

## WARRANTY POLICY CERTIFICATE

Crow warrants these products to be free from defects in materials and workmanship under normal use and service for a period of 24 months from the last day of the week and year whose numbers are printed on the printed circuit board inside these products.

Subject to the provisions of this Warranty Certificate, during the Warranty Period, Crow undertakes, at its sole discretion and subject to Crow's procedures, as such procedures are form time to time, to repair or replace, free of charge for materials and/or labor, products proved to be defective in materials or workmanship under normal use and service. Repaired products shall be warranted for the remainder of the original Warranty Period.

All transportation costs and in-transit risk of loss or damage related, directly or indirectly, to products returned to Crow for repair or replacement shall be borne solely by the Purchaser.

This Warranty Certificate does not cover products that is defective (or shall become defective) due to: (a) alteration of the products (or any part thereof) by anyone other than Crow; (b) accident, abuse, negligence, or improper maintenance; (c) failure caused by a product which Crow did not provide; (d) failure caused by

software or hardware which Crow did not provide; (e) use or storage other than in accordance with Crow's specified operating and storage instructions. There are no warranties, expressed or implied, of merchantability or fitness of the products for a particular purpose or otherwise, which extend beyond the description on the face hereof.

This limited Warranty Certificate is the Purchaser's sole and exclusive remedy against Crow and Crow's sole and exclusive liability toward the Purchaser in connection with the products, including without limitation - for defects or malfunctions of the products. This Warranty Certificate replaces all other warranties and liabilities, whether oral, written, (non-mandatory) statutory, contractual, in tort or otherwise. In no case shall Crow be liable to anyone for any consequential or incidental damages (inclusive of loss of profit, and whether occasioned by negligence of the Crow or any third party on its behalf) for breach of this or any other warranty, expressed or implied, or upon any other basis of liability whatsoever.

Crow does not represent that these products cannot be compromised or circumvented; that these products will prevent any person injury or property

loss or damage by burglary, robbery, fire or otherwise; or that these products will in all cases provide adequate warning or protection.

Purchaser understands that a properly installed and maintained product may in some cases reduce the risk of burglary, fire, robbery or other events occurring without providing an alarm, but it is not insurance or a guarantee that such will not occur or that there will be no personal injury or property loss or damage as a result.

Consequently, Crow shall have no liability for any personal injury; property damage or any other loss based on claim that these products failed to give any warning.

If Crow is held liable, whether directly or indirectly, for any loss or damage with regards to these products, regardless of cause or origin, Crow's maximum liability shall not in any case exceed the purchase price of these products, which shall be the complete and exclusive remedy against Crow.

These instructions supersede all previous issues in circulation prior to April 2019