

NEO™ Line Series

EN Grade 2 Grade 3 Detectors



NEO™ LINE

- Shorter installation time
- Simple and innovative End Of Line
- Unique EOL resistors on-board (PCB)
- Best Detection capability



EOL (END-OF-LINE) RESISTORS
Alarm detection, Tamper protection, Anti-Mask supervision are fully supervised by EOL resistors.

ACTIVE IR ANTI-MASKING
Compliance with EN50131 Grade 3 standard

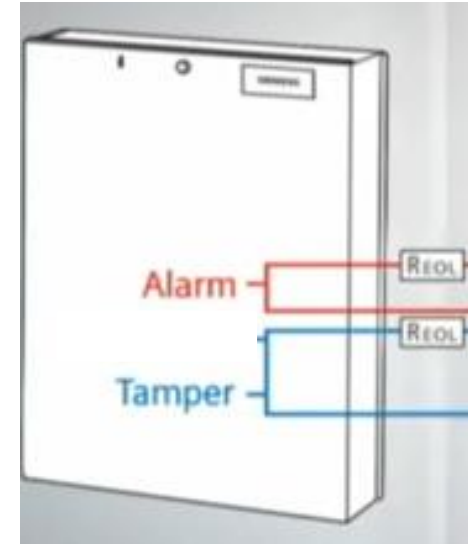
DUAL TECHNOLOGY
Microwave control based on X-Band DRO for optimal detection and elimination of back lobe radiation

The diagram shows a central image of a motion detector with callouts to its internal PCB components. The top callout shows a section of the PCB with labels for TAMPER, ALARM, and EOL resistors. The bottom-left callout shows a section of the PCB with labels for S, P, M, ECE, and P/N - 3203. The bottom-right callout shows a section of the PCB with labels for CE 0197 and RH178.

NEO™ LINE

Select EOL values for :

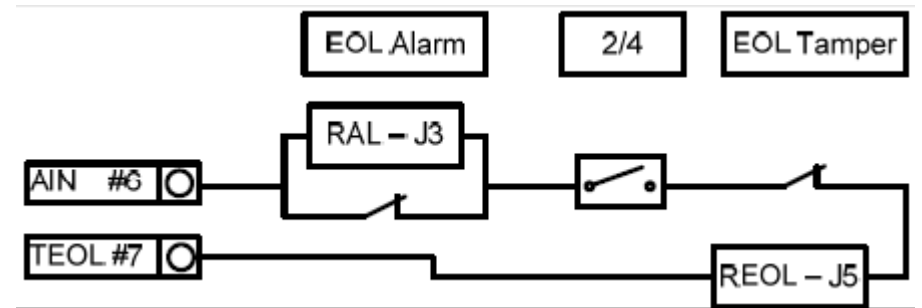
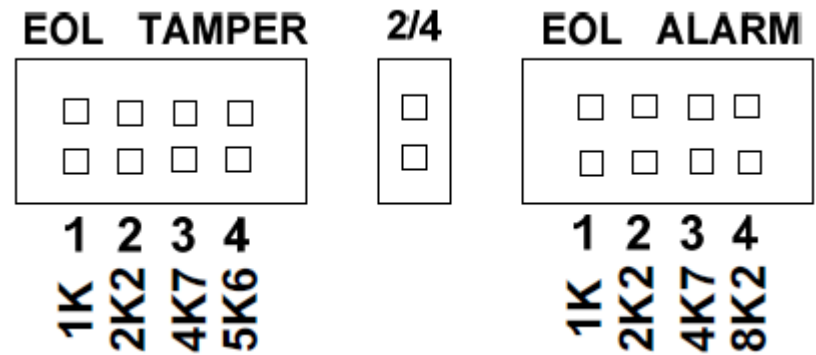
- Your chosen panel
- Your preferred wiring method
- Concept designed for 2 ,4 or 6 wires connection.



NEO™ LINE

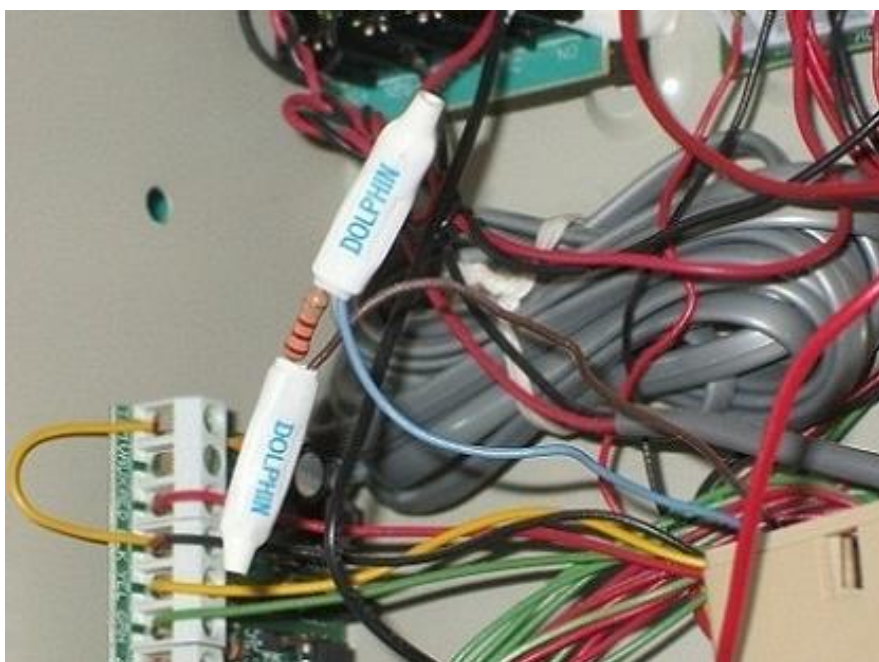
Simple and Innovative EOL Concept

- No Resistors wiring
- Unique EOL resistors on-board (PCB)
- Multiple choice of values.

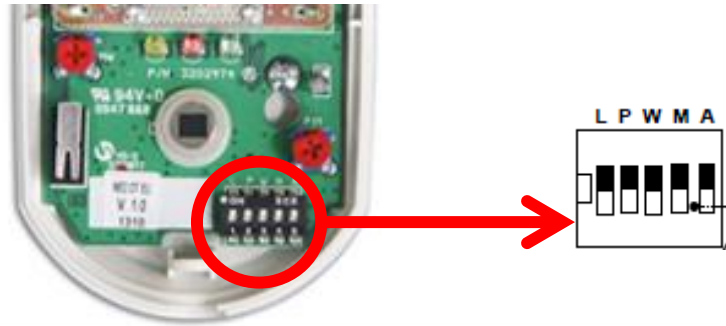


NEO™ LINE

Fast Installation



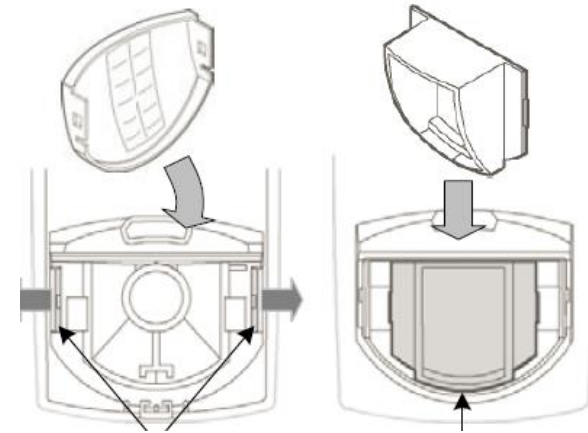
Make your installation flexible



Dipswitches for suitable configuration

- LED Control
- PIR Sensitivity
- PET Immunity
- MW Sensitivity
- AND/OR mode

Customize your Detection



Interchangeable Lenses

- Change from Volumetric to Curtain detection
- Adapt white light filter
- Easy installation without removing the PCB and applying special

NEO™ LINE



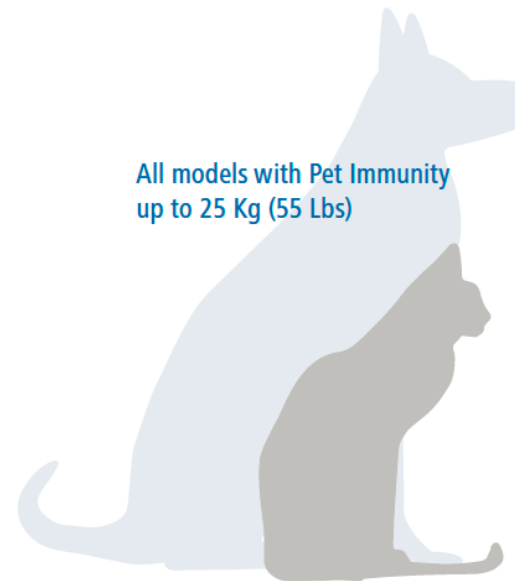
Electronic Engineering Ltd

Model	NEO QUAD	NEO DT	NEO PIR AM	NEO DT-AM
Detector	PIR Detector	PIR & MW Motion Detector	PIR detector with Anti-Masking	PIR & MW Detector with Anti-Masking
Type	4 Element PIR	4 Element PIR	4 Element PIR Active AM	4 Element PIR MW +Optical AM
EOL (End of Line)	✓	✓	✓	✓
Pet Immunity up to 25kgs	✓	✓	✓	✓
Digital	✓	✓	✓	✓
Detection Range up to 15 m	✓	✓	✓	✓
Pulse Count	✓	✓	✓	✓
Sealed Optics	✓	✓	✓	✓
Temperature Compensation	✓	✓	✓	✓
Radio Frequency	Not Applicable	Not Applicable	Not Applicable	Not Applicable
Microwave Frequency	Not Applicable	10.525GHz / 10.687GHz / 9.9GHz	Not Applicable	10.525GHz / 10.687GHz / 9.9GHz
Remote Test	✓	Not Applicable	✓	✓
EN 50131	Grade 2	Grade 2	Grade 3	Grade 3

NEO QUAD N

Digital quad PIR detector

- Quad Linear Imaging Technology for sharp analysis of body dimensions.
- Immunity to animals up to 25kg.
- Up to 12m Detection Range with Wide Angle Lens.
- Temperature compensation.
- Compact Design for Residential Installation.
- Auto sensitivity setting.
- EN50131 Grade 2



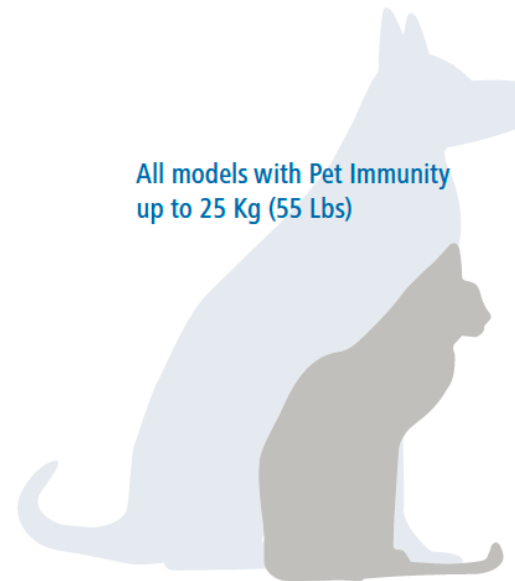
All models with Pet Immunity
up to 25 Kg (55 Lbs)



NEO DT N

Digital PIR & X-Band MW Detector

- Quad (Four element) PYRO sensor.
- Microwave detection based on Doppler concept.
- 2-way Microwave sensitivity adjustment.
- 2-way PIR sensitivity adjustment.
- Bi directional temperature compensation.
- PET immunity up to 25Kg.
- EN50131 Grade 2



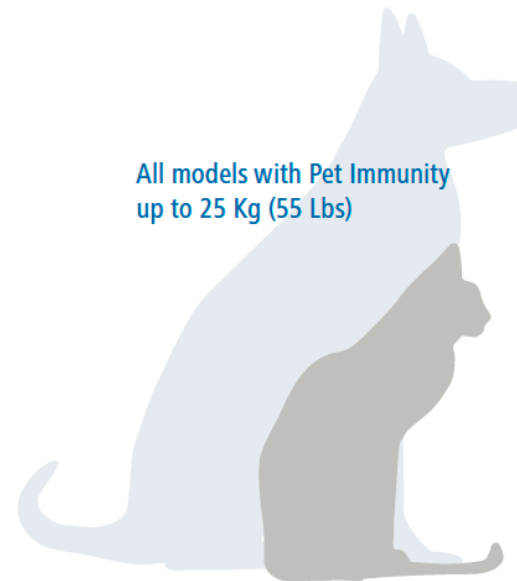
All models with Pet Immunity
up to 25 Kg (55 Lbs)



NEO QUAD-AM N

Digital Quad PIR Detector with Anti-Masking

- Digital signal processing
- PIR sensitivity adjustment
- Bi-directional temperature compensation
- EN50131 Grade 3



NEO DT-AM N

Digital PIR & MW Detector with anti-Masking

- Digital microwave signal processing
- X-Band detector
- PIR and microwave sensitivity adjustment
- Bi-directional temperature compensation
- EN50131 Grade 3



All models with Pet Immunity
up to 25 Kg (55 Lbs)

