



## SH-MAG-SHOCK

TWO WAY WIRELESS  
MAGNETIC DOOR / WINDOW CONTACT  
& OPTIONAL SHOCK SENSOR



INSTRUCTION MANUAL  
7XXXX Rev A (DZ)

### PRODUCT FEATURES

The SH-MAG-SHOCK combine optional shock sensor and a door/ window contact detector on two separate wireless zones and in a single casing for internal use.

- Freewave2™ Two Way ISM
- GFSK with 5 frequencies & LBT
- Ultra Low current consumption
- Events Transmission:
  - Alarm for Magnet and/or External probe opening
  - Trouble for Shock detection
  - Tamper Open/Close
  - Supervision
  - Battery status
- Bi-Color LED indications
- Remotely configurable

### DETECTOR OPENING

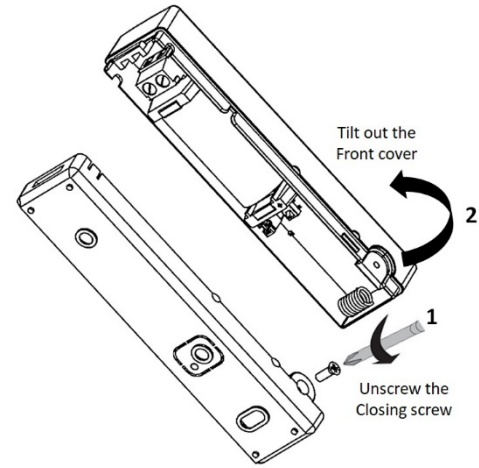


Figure 1  
Detector Opening

### BATTERIES INSERTION

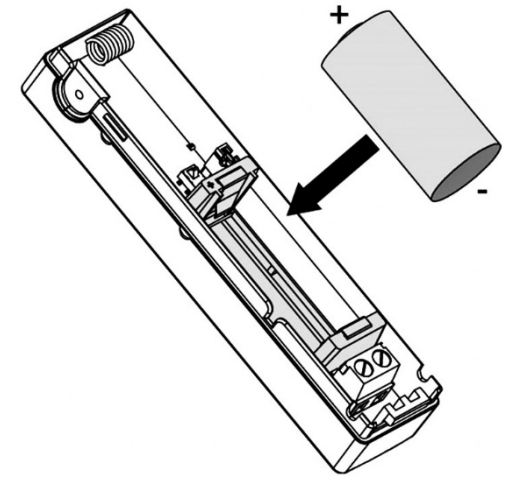


Figure 2  
Insert CR123 Battery

### PAIRING PROCESS

For pairing process, please refer to your control panel instructions.

To pair your device with Shepherd™ panel, please proceed as follows:

1. Enter in installing mode via the "Installer Webpage"
2. Go to "Zones" and select the zone you want to learn
3. Enter the unique radio device ID, and then send the configuration to the control panel
4. Place a battery as instructed in Figure 2 and wait until the Green LED stops blinking.
5. The device should register to the Control Panel.
6. When registration process is successfully completed, the Green LED will constantly light ON for 3 seconds and then turn OFF.

The SH-MAG-SHOCK is paired in 1 zone of your control panel:

- The Magnet or External probe will trigger a Zone Alarm
- The Shock detection will trigger a Zone Trouble
- The Tamper protection will trigger a Zone Tamper Alarm

If registration process failed, the Red LED will blink. Remove the battery, wait for few seconds (~10sec) and repeat the learning process.

### DETECTOR MOUNTING

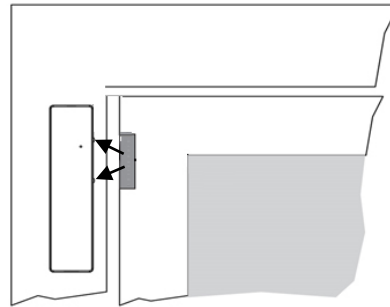


Figure 3  
Place the Magnet unit near this marking

#### ADHESIVE TAPE

The SH-MAG-SHOCK is supplied with double side adhesive tape for mounting installation. How to use it?

- Firmly press and hold device in place for 30 seconds when installing.
- The tape will adhere best to painted, stained or varnished wood, glass, tile, painted cinder block, plaster, non-vinyl wallpapers and wallboards
- Do not use adhesive tape on unfinished brick, delicate wallpaper, or glass that is exposed to direct sunlight or flooded with water. Do not use adhesive outdoors.

### OPENING / CLOSING DISTANCES

Using main magnet reed switch:

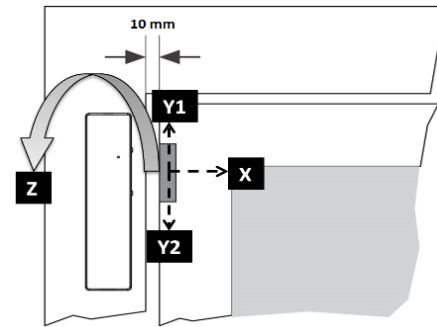
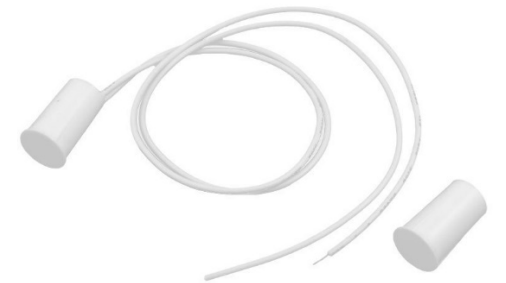


Figure 4  
Installation 10mm between SH-Mag-Shock and Magnet Unit.

Configurations	Axis	Removal Distance (cm)	Approach Distance (cm)
Wood	X	2.1	2.5
	Y	2.2	1.8
	Z	1.9	1.7
Iron	X	1.9	1.8
	Y	0.6	0.4
	Z	1.9	1.8

Using optional external probe extension unit (not supplied):



#### Important notice:

The external magnetic contact is sold separately,

Please use EN grade 2 magnetic contact with EOL 200kOhm resistor

The maximum wire length should be maximum 2 meters.

**DETECTOR TESTING**

**Motion Transmission Test**

Removing and placing of magnet unit close to the reed switch or external probe unit enables the alarm transmission test feature. Check that the transceiver unit indicates at least 2 events – one for removing and one for placing the magnet.

To check this function, it is necessary to verify that the FREEWAVE2 control panel send the following message:

**Zone # X Open**

**Tamper Transmission Test**

Pressing and releasing the tamper (push button) enables the TAMPER transmission test feature.

Verify the Control Panel send "Zone Tamper open" and Red LED is ON.

**EVENT TRANSMISSION**

**SUPERVISION** – A periodical transmission (configurable) indicating detector's presence.

**ALARM** – Alarm transmission triggered by the device indicating opening detection. The Red LED will blink once.

**TROUBLE** – Trouble transmission triggered by the device indicating shock detection. The Red LED will blink once.

**LOW BAT** – Whenever the battery reaches the low level (3V), a Battery Low signal will be sent. When Battery level drops below Cut Off level (2.7V) the device will stop functioning and the Red LED will blink for 10 seconds and then turned Off.

**TAMPER** – Whenever the cover is removed from the device or the device is tear off from the wall, a message will be transmitted with "Tamper ON" signal. When cover will be returned a "Tamper OFF" signal will be transmitted.

**WARRANTY POLICY CERTIFICATE**

Crow warrants these products to be free from defects in materials and workmanship under normal use and service for a period of 24 months from the last day of the week and year whose numbers are printed on the printed circuit board inside these products.

Subject to the provisions of this Warranty Certificate, during the Warranty Period, Crow undertakes, at its sole discretion and subject to Crow's procedures, as such procedures are form time to time, to repair or replace, free of charge for materials and/or labor, products proved to be defective in materials or workmanship under normal use and service. Repaired products shall be warranted for the remainder of the original Warranty Period. All transportation costs and in-transit risk of loss or damage related, directly or indirectly, to products returned to Crow for repair or replacement shall be borne solely by the Purchaser.

This Warranty Certificate does not cover products that is defective (or shall become defective) due to: (a) alteration of the products (or any part thereof) by anyone other than Crow; (b) accident, abuse, negligence, or improper maintenance; (c) failure caused by a product which Crow did not provide; (d) failure caused by software or hardware which Crow did not provide; (e) use or storage other than in accordance with Crow's specified operating and storage instructions. There are no warranties, expressed or implied, of merchantability or fitness of the products for a particular purpose or otherwise, which extend beyond the description on the face hereof.

This limited Warranty Certificate is the Purchaser's sole and exclusive remedy against Crow and Crow's sole and exclusive liability toward the Purchaser in connection with the products, including without limitation - for defects or malfunctions of the products. This Warranty Certificate replaces all other warranties and liabilities, whether oral, written, (non-mandatory) statutory, contractual, in tort or otherwise. In no case shall Crow be liable to anyone for any consequential or incidental damages (inclusive of loss of profit, and whether occasioned by negligence of the Crow or any third party on its behalf) for breach of this or any other warranty, expressed or implied, or upon any other basis of liability whatsoever. Crow does not represent that these products can not be compromised or circumvented; that these products will prevent any person injury or property loss or damage by burglary, robbery, fire or otherwise; or that these products will in all cases provide adequate warning or protection.

Purchaser understands that a properly installed and maintained product may in some cases reduce the risk of burglary, fire, robbery or other events occurring without providing an alarm, but it is not insurance or a guarantee that such will not occur or that there will be no personal injury or property loss or damage as a result. Consequently, Crow shall have no liability for any personal injury; property damage or any other loss based on claim that these products failed to give any warning. If Crow is held liable, whether directly or indirectly, for any loss or damage with regards to these products, regardless of cause or origin, Crow's maximum liability shall not in any case exceed the purchase price of these products, which shall be the complete and exclusive remedy against Crow.

**BATTERY REPLACEMENT**

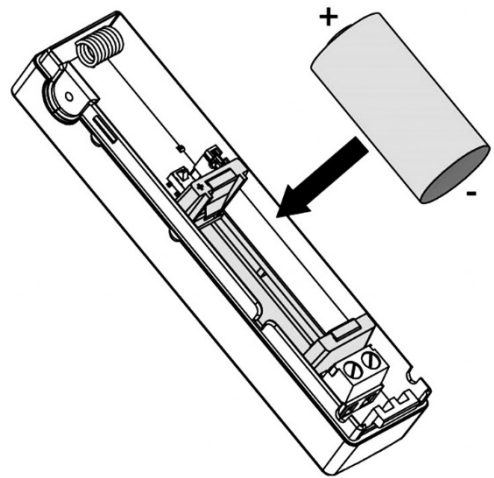


Figure 5

**The battery must be replaced by**  
**1 Lithium batteries CR123 3V Lithium**  
  
**Models such as**  
**GP CR123A**

**CAUTION**

**RISK OF EXPLOSION**  
**IF BATTERY IS REPLACED BY DIFFERENT TYPE / MODEL.**  
**DISPOSE USED BATTERY**  
**ACCORDING TO ITS INSTRUCTIONS**

**SPECIFICATION**

Detection Method	Magnetic Contact & Shock
Communication Protocol	Freewave2™ Two Way ISM GFSK with 5 frequencies & LBT
Operating Frequencies	868MHz
Identification	Unique ID serial number – 24 bit
Events Transmission	Alarm, Trouble, Tamper, Supervision, Low Bat, Keep Alive.
Supervision Time	7 min by default (configurable between 1 to 30 min)
Transmission Range	500m in open space
Battery	1 Lithium. 3V Type: CR123A
Battery life	Up to 5 years
Current Consumptions	Receive mode ~24 mA Transmit mode ~50 mA  Low Bat 3V Cut Off 2.7V
Tamper Switches	Front Cover and Wall Removal
Operating temperature	-10°C to +55°C
Dimensions	97mm x 22mm x 21mm
Weight (incl. battery)	40gr.

**STANDARDS APPROVALS**

The SH-MAG-SHOCK conforms to the essential requirements set out by:

- RED directive:2014/53/EU
- EMC directive: 2014/30/EU
- Low Voltage directive: 2014/35/EU




Harmonized Standards applicable to this products are:

- EN 301489-1
- EN 301489-3
- EN 50130-4
- EN 61000-6-3
- EN 300220-1
- EN 300220-2
- EN 50130-5
- EN 50131-2-6
- EN 50131-6
- EN 50131-5-3

Additional Standards and Directives applicable to this product are:

- RoHS directive: 2002/95/EC
- EN50131-2-6

Security Grade 2, Environmental Class II  
Power supply Type C



sales@crow.co.il  
support@crow.co.il

[www.thecrowgroup.com](http://www.thecrowgroup.com)

These instructions supersede all previous issues in circulation prior to June 2018