



SH-SIRINT-8F/9F

WIRELESS
INDOOR SOUNDER



INSTRUCTION MANUAL
P/N 7105411_B

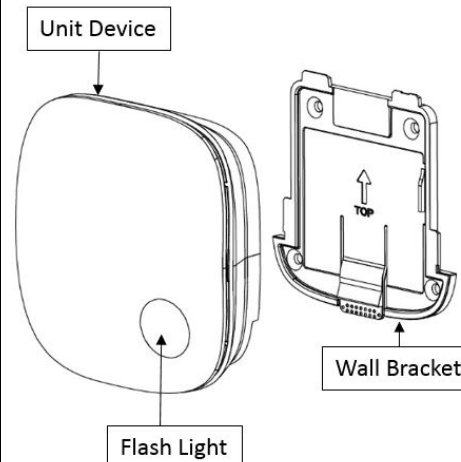
PRODUCT FEATURES

The SH-SIRINT is an advanced slim designed wireless indoor sounder that extends the sound of your alarm inside your premises.

The SH-SIRINT is ideal for residential and light commercial buildings, particularly where outdoor sirens are prohibited.

- ISM Radio 2GFSK
- Ultra Low current consumption
- Powered by 2 Lithium batteries FR6 AA
- Wall Tamper protection
- Battery life up to 5 years
- Operating Frequencies: 868-869MHz / 916-917MHz
- Event Transmission:
 - Alarm
 - Tamper Open/Close
 - Supervision
 - Battery status
- Bi-Color LED indications
- Up to 500m transmission range in open space
- Remotely configurable
- Selectable Dipswitches for working with panel types : Shepherd, Serenity, Runner.

PRODUCT OVERVIEW



DEVICE OPENING

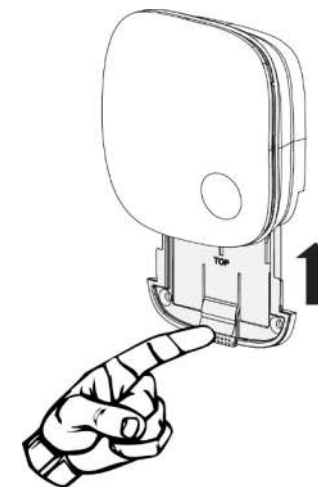


Figure 1

1. Push the latch located on the bracket
2. Slide Up the unit device

WALL MOUNTING

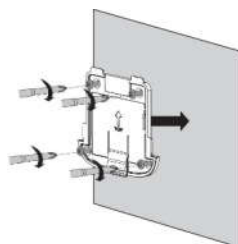
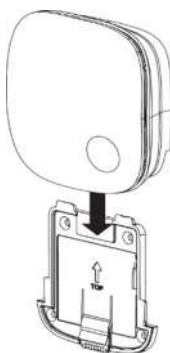


Figure 2

Use supplied screw to mount the bracket on the wall
Check that the base is flat against the wall to facilitate the unit device insertion into the wall bracket

1. Slide down the unit device into the bracket
2. Reset tamper alarm on the control panel



BATTERIES INSERTION

Dip Switches

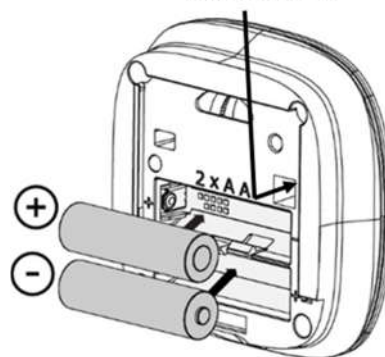


Figure 3

Batteries can be replaced by the user

Please refer to section "Battery Replacement" for this operation.

DIPSWITCHES

Dipswitch Setting

Dipswitch Number	Shepherd	Serenity/Runner			
		ON	Serenity / Runner		
1	OFF -	ON			
2	N/A	ON	Battery ok	2 Flashes	1 flashes
			Low battery	3+3 flashes	2 Flashes
				ARM	DISARM
3	N/A	ON	Battery ok	2 Beeps	1 Beep
			Low battery	3+3 Beeps	2 Beep
				ARM	DISARM
4	N/A	ON	Flasher and Buzzer timeout is 15 min dipswitch is OFF timeout is 2 min.		

The table describes the different settings for SHEPHERD, SERENITY, RUNNER panel types.

Note (for Shepherd default): The Alert sound time is 3 minutes and The Alert flasher time is 30 minutes. Activation time can be changed from Outputs level (see installation manual)

PAIRING PROCESS

For pairing process, please refer to your control panel instructions.

To pair your sounder, please proceed as follows:

1. Enter in installing mode via the "installer Webpage"..
2. Go to Outputs and select the output # you want to learn.
3. Add Output – (insert link type "ISM" Device's ID, Device type "smart siren".
4. Set Siren Configuration output, and save configuration.
5. Place the 2 batteries as instructed in figure 3 and wait until the red/green LED stops blinking.
6. The device should register to the Control Panel.
7. When registration process is successfully completed, the Green LED will constantly light ON for 3 seconds and then turn OFF.
8. If Green LED continues flashing more than 5 minutes and stopped. Please check siren settings details, remove batteries and repeat step 5,6,7.

TESTING THE DEVICE

After the pairing is completed verify that the sounder is working properly:

- Perform Arm/Disarm verify Beep/Led indications.
- Perform an Alarm; verify Piezo and LED is activated.
- Perform Alarm Reset by User pin code.

EVENT TRANSMISSION

SUPERVISION

A periodical transmission indicating detector's presence.

ALARM

Siren sound from the device indicating alarm in progress. The white LED blinking during the operation.

LOW BATTERY

Whenever batteries reach the low level (2.9V), a Battery Low signal will be sent. When Battery level drops below Cut Off level (2.5V) the device will stop functioning and the Red LED will blink for 10 seconds and then turned Off.

TAMPER

Whenever the device is removed from the bracket, a message will be transmitted with "Tamper ON" signal. When cover will be returned a "Tamper OFF" signal will be transmitted. You should reset this tamper alarm on your control panel.

BATTERY REPLACEMENT

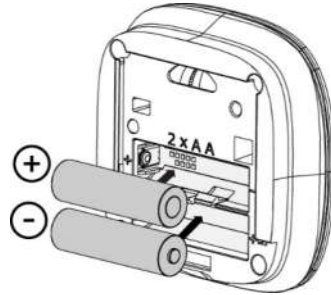


Figure 6

CAUTION

**Batteries must be replaced by
2 Lithium batteries FR6 AA**

**RISK OF EXPLOSION
IF BATTERY IS REPLACED BY DIFFERENT TYPE / MODEL.**

**DISPOSE USED BATTERY
ACCORDING TO ITS INSTRUCTIONS**

AFTER REPLACING BATTERIES...

- Slide down the sounder device into the bracket as illustrated in figure 4
- Perform Tamper reset on your control panel
- Proceed with device testing to check proper functioning

SPECIFICATION

Alert Method	Internal Piezo and LED
Sound Level	More than 100dB (at 1 meter)
Flash Light	Red/Green and White LED indications
ISM Radio	2GFSK
Operating Frequencies	868-869MHz / 916-917MHz
Identification	Unique ID serial number – 24 bit
Events Transmission	Alarm, Tamper, Supervision, Low Bat.
Supervision Time	7 min by default
Transmission Range	500m in open space
Battery	2 x Lithium batteries FR6 AA
Battery life	Up to 5 years
Current Consumptions	Standby ~60 μ A Receive mode ~26 mA Transmit mode ~50 mA Transmit power <14dBm Low Bat 2.9V Cut Off 2.5V
Tamper Switch	Bracket Removal
Operating temperature	-10°C to +55°C
Dimensions	93mm x 93mm x 31mm
Weight (incl. battery)	80gr.

STANDARDS APPROVALS

The SH-SIRINT conforms to the essential requirements set out by:

- RED directive:2014/53/EU
- EMC directive: 2014/30/EU
- Low Voltage directive: 2014/35/EU

Harmonized Standards applicable to this products are:

- EN300220-2
- EN300220-1
- EN301489-3
- EN301489-1
- EN50130-4
- EN61000-6-3
- EN60950-1
- EN50130-5
- EN50131-5-3

Additional Standards and Directives applicable to this product are:

- RoHS directive: 2002/95/EC
- EN50131-4

Security Grade2, Environmental Class II
Power supply Type W
Certification body: Telefication B.V.



WARRANTY POLICY CERTIFICATE

Crow warrants these products to be free from defects in materials and workmanship under normal use and service for a period of 24 months from the last day of the week and year whose numbers are printed on the printed circuit board inside these products.

Subject to the provisions of this Warranty Certificate, during the Warranty Period, Crow undertakes, at its sole discretion and subject to Crow's procedures, as such procedures are from time to time, to repair or replace, free of charge for materials and/or labor, products proved to be defective in materials or workmanship under normal use and service. Repaired products shall be warranted for the remainder of the original Warranty Period.

All transportation costs and in-transit risk of loss or damage related, directly or indirectly, to products returned to Crow for repair or replacement shall be borne solely by the Purchaser.

This Warranty Certificate does not cover products that is defective (or shall become defective) due to: (a) alteration of the products (or any part thereof) by anyone other than Crow; (b) accident, abuse, negligence, or improper maintenance; (c) failure caused by a product which Crow did not provide; (d) failure caused by software or hardware which Crow did not provide; (e) use or storage other than in accordance with Crow's specified operating and storage instructions.

There are no warranties, expressed or implied, of merchantability or fitness of the products for a particular purpose or otherwise, which extend beyond the description on the face hereof.

This limited Warranty Certificate is the Purchaser's sole and exclusive remedy against Crow and Crow's sole and exclusive liability toward the Purchaser in connection with the products, including without limitation - for defects or malfunctions of the products. This Warranty Certificate replaces all other warranties and liabilities, whether oral, written, (non-mandatory) statutory, contractual, in tort or otherwise.

In no case shall Crow be liable to anyone for any consequential or incidental damages (inclusive of loss of profit, and whether occasioned by negligence of the Crow or any third party on its behalf) for breach of this or any other warranty, expressed or implied, or upon any other basis of liability whatsoever. Crow does not represent that these products can not be compromised or circumvented; that these products will prevent any person injury or property loss or damage by burglary, robbery, fire or otherwise; or that these products will in all cases provide adequate warning or protection.

Purchaser understands that a properly installed and maintained product may in some cases reduce the risk of burglary, fire, robbery or other events occurring without providing an alarm, but it is not insurance or a guarantee that such will not occur or that there will be no personal injury or property loss or damage as a result. Consequently, Crow shall have no liability for any personal injury; property damage or any other loss based on claim that these products failed to give any warning. If Crow is held liable, whether directly or indirectly, for any loss or damage with regards to these products, regardless of cause or origin, Crow's maximum liability shall not in any case exceed the purchase price of these products, which shall be the complete and exclusive remedy against Crow.



sales@crow.co.il
support@crow.co.il

www.thecrowgroup.com

These instructions supersede all previous issues in circulation prior to December 2017