



SH-PIRCAM-8F (V2)

TWO WAY WIRELESS
INDOOR PIRCAM DETECTOR



INSTRUCTION MANUAL
P/N 7105707_A

PRODUCT FEATURES

The SH-PIRCAM-8F (V2) is a two way wireless motion detector with a built-in CMOS high quality color camera that provides the perfect solution for visual alarm verification of your premises.

When your control panel is armed and the PIR sensor detects movement, the detector sends an alert and transmit picture to the CMS or to your mobile phone.

- Freewave2 Advanced & Secured RF protocol
- Pet immune passive IR detection element
- Low current Technology
- Tamper Open/Close transmission
- Unique ID number
- 110 degrees lens- mounted in factory
- CMOS camera with CIF resolution
- 2 DSP microcontrollers for image processing
- IR LEDs for operating in low light conditions.
- Red and Green indicators LEDs

DETECTOR OPENING

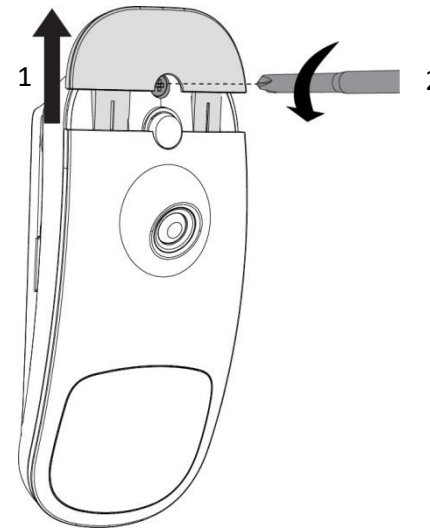


Figure 1

BRACKET REMOVAL

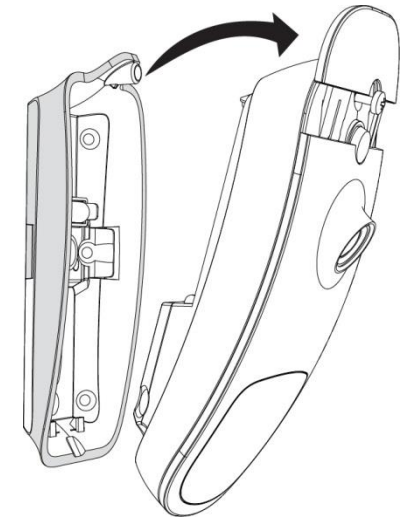


Figure 2

BATTERY INSERTION

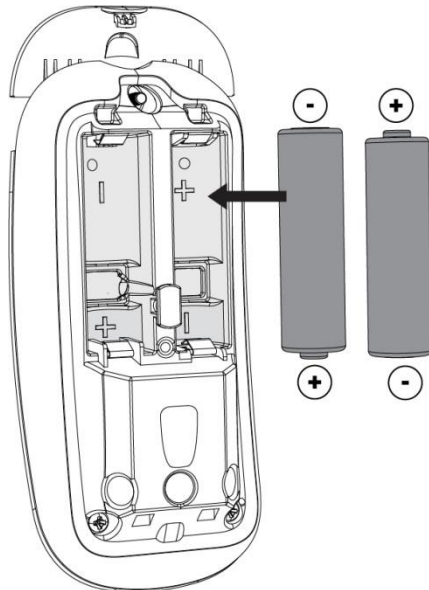


Figure 3

The battery can be replaced by the user
Battery type: 1.5V Type AA Lithium

DETECTOR MOUNTING

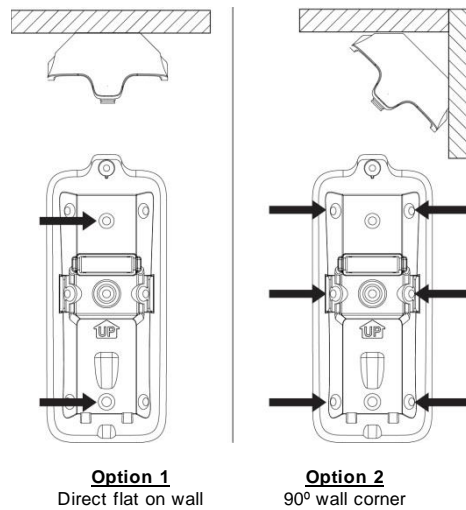
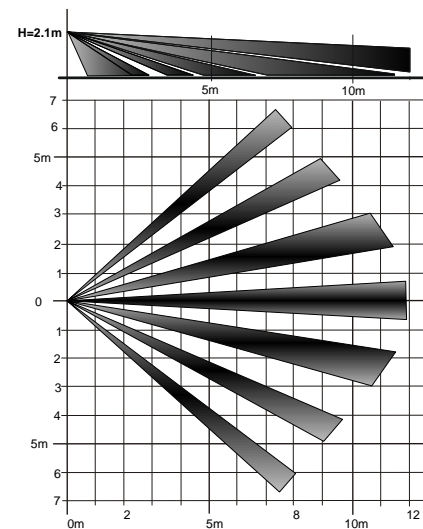


Figure 4

Avoid the following locations:

- Facing direct sunlight.
- Facing areas that may change temperature rapidly.
- Areas where there are air ducts or substantial airflows.

DETECTION COVERAGE



Recommended mounting height – 2.1m to 2.3m

PAIRING PROCESS

For pairing process, please refer to your control panel instructions.

To pair your device, please proceed as follows:

1. Place a battery as instructed in Figure 1 and wait until the Red LED stops blinking.
2. Power up- Alternately blinking Green LED for 500ms ON and Red LED for 500ms ON during device initialization until ready, starting with Green LED. Then stop blinking for 1 second.
3. Initiate the Base Station pairing process.
4. Initiate the PIR learning process by pressing the pairing button for 5 seconds.
5. The Green LED will constantly turn ON. When the Green LED starts blinking release the pairing button.
6. The device should register to the Control Panel.
7. When registration process is successfully completed, the Green LED will constantly light ON for 3 seconds and then turn OFF.
8. If registration process failed, the Red LED will blink. Remove the battery, wait for few seconds (~10sec) and repeat the learning process.

DETECTOR TESTING

After pairing and installing the detector, we recommend performing walk and transmission tests.

Motion Transmission Test

Walk crossing in front of the detector from one side to the other will cause motion alert transmissions. Verify receiving the indication on your control panel. Pay attention that due to APS feature it is required waiting 30 seconds between 2 consecutive indications.

Tamper Transmission Test

Changing the tamper switch state (by attaching / removing the device to / from the Bracket) will cause tamper transmissions.

EVENT TRANSMISSION

SUPERVISION – A periodical transmission (configurable) indicating detector's presence.

ALARM – Alarm transmission triggered by the device indicating Motion detection. The Red LED will blink once.

LOW BAT – Whenever the battery reaches the low level (2.9V), a Battery Low signal will be sent. When Battery level drops below Cut Off level (2.5V) the device will stop functioning and the Red LED will blink for 10 seconds and then turned Off.

TAMPER – Whenever the cover is removed from Bracket or the device is tear off from the wall, a message will be transmitted with "Tamper ON" signal. When cover will be returned a "Tamper OFF" signal will be transmitted.

BATTERY REPLACEMENT

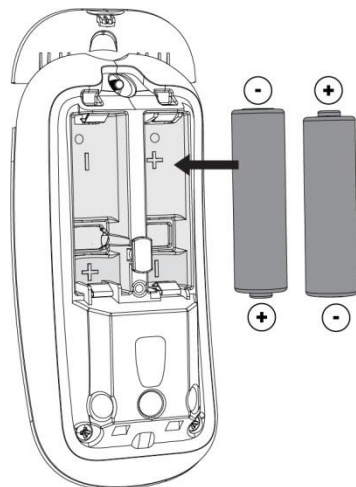


Figure 5

The battery must be replaced by 1.5V Lithium

Models such as

1. **ENERGIZER L91**
2. **Great Power FR6**

CAUTION

**RISK OF EXPLOSION
IF BATTERY IS REPLACED BY DIFFERENT TYPE / MODEL.**

**DISPOSE USED BATTERIES
ACCORDING TO ITS INSTRUCTIONS**

SPECIFICATION

Detection Method	PYRO Element S Shape
ISM Radio	2GFSK
Operating Frequencies	868-869MHz
Identification	Unique ID serial number – 24 bit
Camera	CMOS Camera HDR
Resolution	VGA 640x480 or WGVA 744x520
CMOS Sensitivity	16VLux/sec
Picture Mode	Configurable BW / QVGA
Resolution	Configurable VGA / QVGA
Events Transmission	Alarm, Tamper, Supervision, Low Bat, Keep Alive.
Supervision Time	7 min by default (configurable between 1 to 30 min)
Transmission Range	500m in open space
Battery	2 Lithium batteries 1.5V, Size AA
Battery life	Up to 5 years
Current Consumptions	Standby ~70 μ A Receive mode ~26 mA Transmit mode ~52 mA Low Bat 2.8V Cut Off 2.5V
Tamper Switch	Front Cover and Wall Removal
Operating temperature	-10°C to +55°C
Dimensions	112mm x 58mm x 45mm
Weight (incl. battery)	120 gr.

STANDARDS APPROVALS

The SH-PIRCAM-8F (V2) conforms to the essential requirements set out by:

- RED: 2014/53/EU
- EMC directive: 2014/30/EU
- LVD: 2014/35/EU

Harmonized Standards applicable to this products are:

- EN 50130-4
- EN 61000-6-3
- EN 301 489-1
- EN 301 489-3
- EN 300 220-1
- EN 300 220-2
- EN 62368-1

Additional Standards and Directives applicable to this product are:

- EN 50131-1
- EN 50131-2-2
- EN 50131-6
- EN 50131-5-3
- EN 50130-5

Certification body: Kiwa Nederland B.V.
Security Grade2, Environmental Class II
Power supply Type C



WARRANTY POLICY CERTIFICATE

Crow warrants these products to be free from defects in materials and workmanship under normal use and service for a period of 24 months from the last day of the week and year whose numbers are printed on the printed circuit board inside these products.

Subject to the provisions of this Warranty Certificate, during the Warranty Period, Crow undertakes, at its sole discretion and subject to Crow's procedures, as such procedures are from time to time, to repair or replace, free of charge for materials and/or labor, products proved to be defective in materials or workmanship under normal use and service. Repaired products shall be warranted for the remainder of the original Warranty Period. All transportation costs and in-transit risk of loss or damage related, directly or indirectly, to products returned to Crow for repair or replacement shall be borne solely by the Purchaser.

This Warranty Certificate does not cover products that is defective (or shall become defective) due to: (a) alteration of the products (or any part thereof) by anyone other than Crow; (b) accident, abuse, negligence, or improper maintenance; (c) failure caused by a product which Crow did not provide; (d) failure caused by software or hardware which Crow did not provide; (e) use or storage other than in accordance with Crow's specified operating and storage instructions. There are no warranties, expressed or implied, of merchantability or fitness of the products for a particular purpose or otherwise, which extend beyond the description on the face hereof.

This limited Warranty Certificate is the Purchaser's sole and exclusive remedy against Crow and Crow's sole and exclusive liability toward the Purchaser in connection with the products, including without limitation - for defects or malfunctions of the products. This Warranty Certificate replaces all other warranties and liabilities, whether oral, written, (non-mandatory) statutory, contractual, in tort or otherwise. In no case shall Crow be liable to anyone for any consequential or incidental damages (inclusive of loss of profit, and whether occasioned by negligence of the Crow or any third party on its behalf) for breach of this or any other warranty, expressed or implied, or upon any other basis of liability whatsoever. Crow does not represent that these products can not be compromised or circumvented; that these products will prevent any persons on injury or property loss or damage by burglary, robbery, fire or otherwise; or that these products will in all cases provide adequate warning or protection.

Purchaser understands that a properly installed and maintained product may in some cases reduce the risk of burglary, fire, robbery or other events occurring without providing an alarm, but it is not insurance or a guarantee that such will not occur or that there will be no personal injury or property loss or damage as a result. Consequently, Crow shall have no liability for any personal injury; property damage or any other loss based on claim that these products failed to give any warning. If Crow is held liable, whether directly or indirectly, for any loss or damage with regards to these products, regardless of cause or origin, Crow's maximum liability shall not in any case exceed the purchase price of these products, which shall be the complete and exclusive remedy against Crow.



sales@crow.co.il
support@crow.co.il

www.thecrowgroup.com

These instructions supersede all previous issues in circulation prior to December 2017