

Vibration Detector VIB-2000



INSTALLATION INSTRUCTIONS



P/N 7101721 Ver. C

The VIB-2000 is a wired vibration sensor used for detecting mechanical impacts, such as hammer, drill, explosive, diamond drills and hydraulic pressure.

The VIB-2000 is designed for usage with vaults, safes and ATM machines or other reinforced areas such as deposit boxes, data storage, windows/doors frame and filling cabinets.

FEATURES

- Unique signal analysis ignores environmental and disturbances
- Sensitivity adjustment
- New ultra compact design
- Wall mount installation
- Outstanding detection range and reliability
- A frequency analysis circuit responds to low & amplitude Long-duration signals (drilling or thermal lance).
- Relay Out
- LATCH Input –Enables to see which detector performed an alarm
- Tamper protected base and cover

MOUNTING THE DETECTOR

- Remove the cover (fig. 1a) and unscrew the holding screw (fig. 1b).
- Pull up the cover (fig. 1c) from the base (fig. 2a).
- Remove Printed Circuit Board (fig. 2b) from the unit base (fig. 2a).
- Thread the cable into the opening (fig. 2d) and mount the base (Fig. 2a) on the wall using 2 screws 3x30 (fig. 2c) – supplied with product (?)
- Reinstall the Printed Circuit Board back into the base.
- Connect the wires to the terminal block accordingly.

Fig. 1

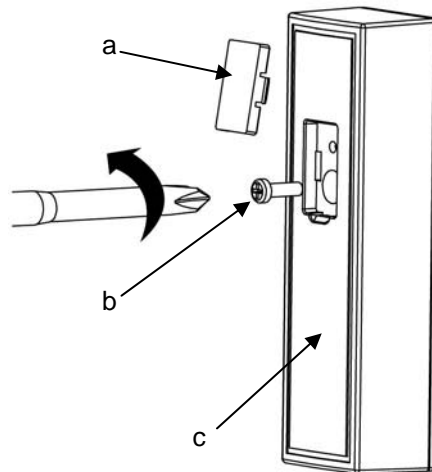
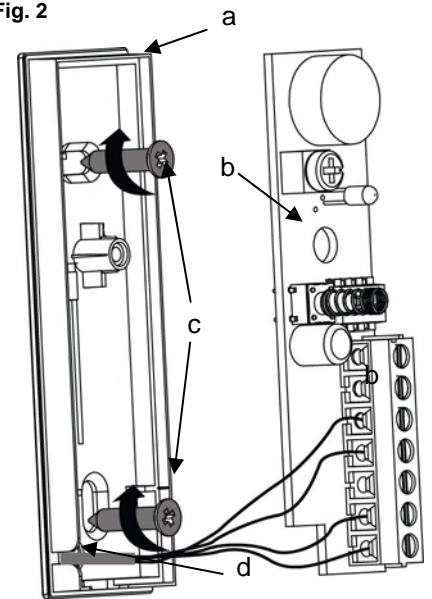
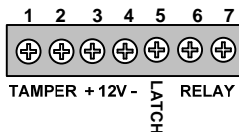


Fig. 2



Terminal Block Connection

Fig. 3



Terminals 1 & 2 - Marked " TAMPER "

If a Tamper function is required, connect these terminals to a 24 hour normally-closed protective zone in the control unit. Once the cover of the detector is opened, or the detector is removed from the mounting wall an immediate alarm signal will be sent to the control unit.

Terminal 3 - Marked " + " (+ 12V)

Connect to a positive voltage source of 9.6-16 VDC source (usually from the alarm control unit).

Terminal 4 - Marked " - " (GND)

Connect to the control unit's ground terminal.

Terminal 5 - Marked "LATCH "

The alarm LATCH (memory) function allows the identification of multiple alerting detectors' outputs while connected to one (or the same) zone of the control unit.

To enable this function, connect (switch on) the LATCH terminal to a switched +12 V_{DC} source (e.g. Arm / Disarm voltage output) from the control unit.) In case of alarm, the memory function stores the alarm event in the memory.

In order to identify which detector had an alarm, disconnect (switch off) (grounded) the voltage source from the memory (?) terminal.

The LED of the detector which had the alarm event will light constantly until memory function is reset. To reset the memory function, switch the "LATCH" terminal on and then off.

Terminals 6 & 7 - Marked " RELAY "

Detector's output relay contacts. Connect to a normally closed zone on the control panel.

Fig. 4

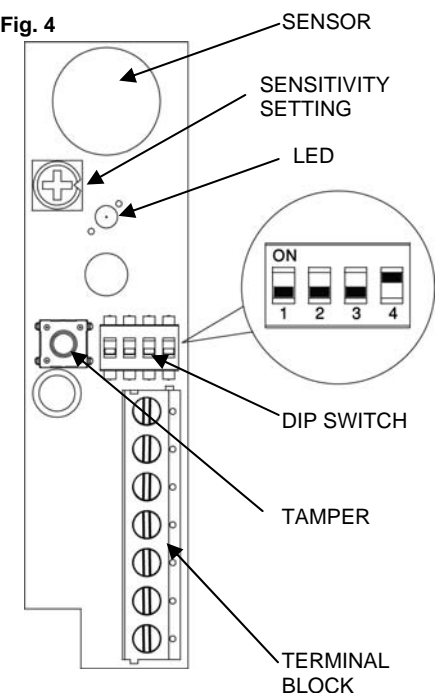
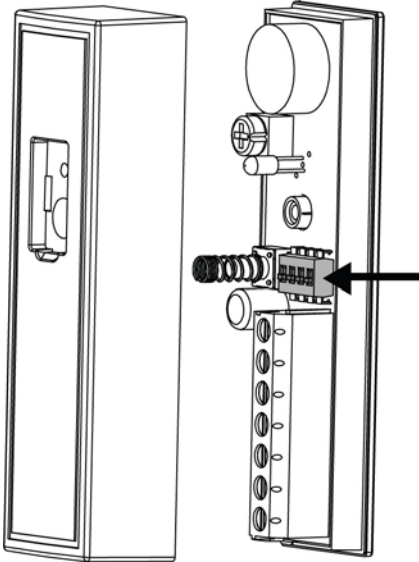


Fig. 5



SENSITIVITY and RESPONSE ADJUSTMENT

DIP Switch # 1

SENSITIVITY RANGE ADJUSTMENT

Dip switch no. 1 used for setting the detector's sensitivity range.

Position ON - High sensitivity, when the detector located in a range of 3 to 6 m from the protected area.

Position OFF – Low sensitivity, when the detector located in a range of 1 to 3 m from the protected area.

**** Factory Setting - OFF**

DIP Switches #2 and #3

RESPONSE TIME ADJUSTMENT

Dip switches no. 2 and 3 are used for setting the response time and the number of mechanical pulses which will activates the alarm.

| SWITCH NUMBER | #2 | #3 |
|----------------|-----|-----|
| Average signal | OFF | OFF |
| 2 Pulses | OFF | ON |
| 4 Pulses (**) | ON | OFF |
| 8 Pulses | ON | ON |

**** Factory Setting**

Dip switch # 4 – LED Indication

ON- LED Indication ON **

OFF- LED Indication OFF

**** Factory Setting**

SHOCK RESPONSE ADJUSTMENT

The potentiometer is uses for setting up the shock level response.

Rotate the potentiometer clockwise to increase sensitivity or counter-clockwise to decrease sensitivity

**** Factory default set to MID.**

Average Signal

Average Signal setting is designed to detect Hammer drills/Rotary Hammer

SPECIFICATIONS

| | |
|--------------------|---|
| Detection Method | Piezzo |
| Detection Radius | Mechanical tools - up to 6m For concrete, brick or steel walls |
| Power Input | 9.6 to 16 Vdc |
| Current Draw | 10 mA |
| Alarm Duration | 2 ±0.5 sec |
| Alarm Output | Form A, N.C 30Vdc @ 0.1 A with 10Ohm series protection resistors |
| Tamper Contact | N.C 30Vdc @ 0.1A with 10 Ohm series protection resistor |
| - | Open when cover is removed or unit removed from the wall. |
| Warm Up Period | 5 Sec |
| LED Indicator | Red LED is ON during alarm |
| Dimensions | 85mm x 25mm x 20mm |
| Weight | 35 gr. |
| Housing Protection | IP43 |
| Operating Temp. | -10°C to +50°C |
| Storage Temp. | -20°C to +70°C |
| Humidity | <95% relative humidity, non Condensing |
| EMI Rejection | 50Khz to 2Ghz >15V/m |



CROW ELECTRONIC ENGINEERING LTD. ("Crow") - WARRANTY POLICY CERTIFICATE

This Warranty Certificate is given in favor of the purchaser (hereunder the "Purchaser") purchasing the products directly from Crow or from its authorized distributor.

Crow warrants these products to be free from defects in materials and workmanship under normal use and service for a period of 24 months from the last day of the week and year whose numbers are printed on the printed circuit board inside these products (hereunder the "Warranty Period").

Subject to the provisions of this Warranty Certificate, during the Warranty Period, Crow undertakes, at its sole discretion and subject to Crow's procedures, as such procedures are form time to time, to repair or replace, free of charge for materials and/or labor, products proved to be defective in materials or workmanship under normal use and service. Repaired products shall be warranted for the remainder of the original Warranty Period.

All transportation costs and in-transit risk of loss or damage related, directly or indirectly, to products returned to Crow for repair or replacement shall be borne solely by the Purchaser.

Crow's warranty under this Warranty Certificate does not cover products that is defective (or shall become defective) due to: (a) alteration of the products (or any part thereof) by anyone other than Crow; (b) accident, abuse, negligence, or improper maintenance; (c) failure caused by a product which Crow did not provide; (d) failure caused by software or hardware which Crow did not provide; (e) use or storage other than in accordance with Crow's specified operating and storage instructions.

There are no warranties, expressed or implied, of merchantability or fitness of the products for a particular purpose or otherwise, which extend beyond the description on the face hereof.

This limited Warranty Certificate is the Purchaser's sole and exclusive remedy against Crow and Crow's sole and exclusive liability toward the Purchaser in connection with the products, including without limitation - for defects or malfunctions of the products. This Warranty Certificate replaces all other warranties and liabilities, whether oral, written, (non-mandatory) statutory, contractual, in tort or otherwise.

In no case shall Crow be liable to anyone for any consequential or incidental damages (inclusive of loss of profit, and whether occasioned by negligence of the Crow or any third party on its behalf) for breach of this or any other warranty, expressed or implied, or upon any other basis of liability whatsoever. Crow does not represent that these products can not be compromised or circumvented; that these products will prevent any person injury or property loss or damage by burglary, robbery, fire or otherwise; or that these products will in all cases provide adequate warning or protection.

Purchaser understands that a properly installed and maintained product may in some cases reduce the risk of burglary, fire, robbery or other events occurring without providing an alarm, but it is not insurance or a guarantee that such will not occur or that there will be no personal injury or property loss or damage as a result.

Consequently, Crow shall have no liability for any personal injury; property damage or any other loss based on claim that these products failed to give any warning.

If Crow is held liable, whether directly or indirectly, for any loss or damage with regards to these products, regardless of cause or origin, Crow's maximum liability shall not in any case exceed the purchase price of these products, which shall be the complete and exclusive remedy against Crow.

CROW ELECTRONIC ENGINEERING LTD.
12 Kineret St.
Airport City, 70100 Israel
Tel. +972 3 9726000
Fax. +972 3 9726001
sales@crow.co.il
support@crow.co.il
www.thecrowgroup.com

CROW LATIN AMERICA USA INC.
7200 NW 19 st.
Suite 307
Miami Fl 33126, USA
Tel. +305 513 4001
Fax. +305 513 4005
rejane@crowlatinamerica.com
www.crowlatinamerica.com

ARROWHEAD ALARM PRODUCTS
344B, Rosedale Road
Park Farm Industrial Estate
Albany, Auckland
New Zealand
Tel. +64 9 414 0085
Fax. +64 9 414 0088
www.aap.co.nz

These instructions supersede all previous issues in circulation prior to February 2012.